



Fulflo® 4CSF7 Filter Housings

■ 304 Stainless Steel

Multi-Cartridge Filter Housing Series

Fulflo® 4CSF7 Multi-Cartridge Filter Housings Meet Non-Code Water Applications

Fulflo® 4CSF7 Series of Multi-Cartridge Filter Housings feature low-cost construction similar to ASME design. The cover includes swing bolts with eyenuts and a positive O-ring seal.

The 4CSF7 Housing Series accommodates Fulflo® double-open-ended (DOE) and single-open-ended (SOE) cartridges in 10 in, 20 in, 30 in and 40 in lengths.

Applications

- Chemical
- Photographic Film & Paper
- Metal Treatment
- Process Water
- Synthetic Fibers
- Electronic
- Recording Media
- Coatings, Paint, Ink & Resins
- Petroleum
- Process Gas

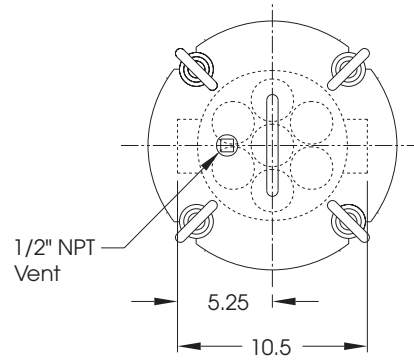


Design Features

- Maximum design pressure and temperature is 150 psig (10.3 bar) at 250°F (122°C).
- Cover is secured with four swing bolts for fast, easy opening and closing of cover.
- Inlet and outlet is 2 in NPT.
- Designed with Buna-N O-rings for positive sealing. Alternate O-ring material available.
- Internals without snap-lock guides available in 316 stainless steel.
- Threaded flange assemblies available to convert inlet/outlet from NPT to flanged.

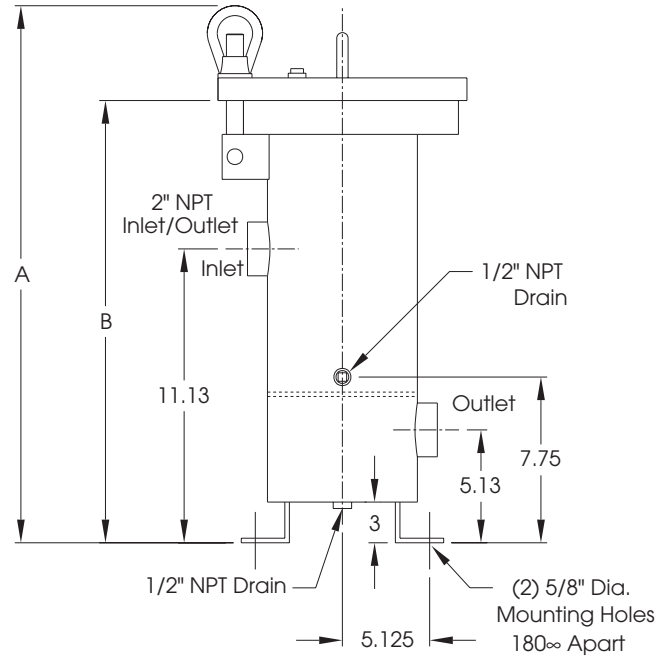
Process Filtration Division

Multi-Cartridge Filter Housing Series



Design Specifications

Model	Typical Aqueous Flow (gpm)	Dimensions (in)		Shipping Weight (lbs)
		A	B	
4CSF7-1-2	35	23-5/16	19-3/8	80
4CSF7-2-2	70	33-3/8	29-7/16	98
4CSF7-3-2	105	43-7/16	39-1/2	116



Ordering Information

4 | **CSF** | **7** | **1** | **2** | **F**
 304 Stainless Steel | Design Series | Number of Columns | Number of 10 in Cartridges per Column | 2 in NPT Inlet/Outlet | Flange Option

Process Filtration Division

Parker Hannifin Corporation
 Process Filtration Division
 P.O. Box 1300
 Lebanon, Indiana 46052
 Telephone (765) 482-3900
 Fax (765) 482-8410
<http://www.parker.com>

